

# UD2600

2010 Model Year



WHEELBASES	E*	H	K	M	N	R	S
GVWR (lb.)	25,995	25,995	25,995	25,995	25,995	25,995	25,995
Chassis Weight (lb.)†	9,530	9,620	9,725	9,835	9,970	9,980	10,050
Front (lb.)	5,855	5,990	6,075	6,120	6,185	6,165	6,210
Rear (lb.)	3,675	3,630	3,650	3,715	3,785	3,815	3,840
Gross Payload (lb.)*	16,465	16,375	16,270	16,160	16,025	16,015	15,945
Wheelbase (in.) ** WB	150.39	177.17	192.91	208.66	222.44	238.19	253.94
Cab-to-Rear Axle (in.) CA	118.27	145.04	160.79	176.54	190.31	206.06	221.81
Rear Overhang (in.) RO	44.88	72.88	76.97	88.58	102.36	110.24	114.17
Overall Length (in.) OL	245.67	300.39	320.28	347.64	375.64	398.20	418.50
Turning Radius (ft.)	21.30	25.40	27.40	29.40	31.20	32.80	35.00
Typical Body Lengths (ft.)***	14/16	16/18	18/20	20/22	24/26	26/28	28/30

† Chassis Weight will be 25 lbs. lighter at the "Rear", on average, when Air-Ride suspension is selected. \*Gross payload capacity equals GVWR minus chassis weight. Installation of specialized equipment or bodies may require frame reinforcement. \*\*Wheelbase selection should be based on specific weight distribution. \*\*\*Typical body lengths assume water level load (no specific consideration for driver, passengers, or fuel) to maximize GVWR. Addition of ancillary equipment such as lift gates and refrigeration units not considered in calculations. † Air-Ride Suspension not available on E W/B.

ENGINE	MD-230* 24 Valve
	Turbo/Intercooled Diesel
	In-line 6 cylinder, Direct-injection
Horsepower	230 hp @ 2,500 rpm
Torque	506 lb. ft. @ 1,500 rpm
Displacement	469 in. <sup>3</sup> (7.684 L)
Cylinder Liner	Dry, replaceable
Air Compressor	14.1 CFM @ 2,600 engine rpm (nominal)
Fuel System	Electronically controlled common rail system
Air Cleaner	11 in., paper filter type (DONALDSON)
Cold Starting Aid	Automatic electric glow plug
Fan	Viscous type drive

\*MD-230 (J08E-UJ) is a vendor engine manufactured for Nissan Diesel Motor Company

## FRONT AXLE

GAWR	9,480 lb.
Rated Axle Capacity	9,480 lb.
Axle Type	"I" Beam
Suspension	Semi-elliptic leaf springs
Shock Absorbers	Telescopic type

## Transmission

**STD**  
Nissan Diesel, MLS63B  
Manual, 6 forward speeds & 1 reverse synchromesh on 2nd through 6th gears

**OPTION**  
Allison, 2200RDS  
Automatic  
5 forward speeds & 1 reverse

### Ratios

1st	6.72	3.10	
2nd	4.03	1.81	
3rd	2.30	1.41	
4th	1.44	1.00	
5th	1.00	0.71	
6th	0.74	—	
Rev.	6.12	4.49	
R/A Ratio	5.14	5.57std	5.57std
Engine rpm @ 65 mph	2,080	2,250	2,165*

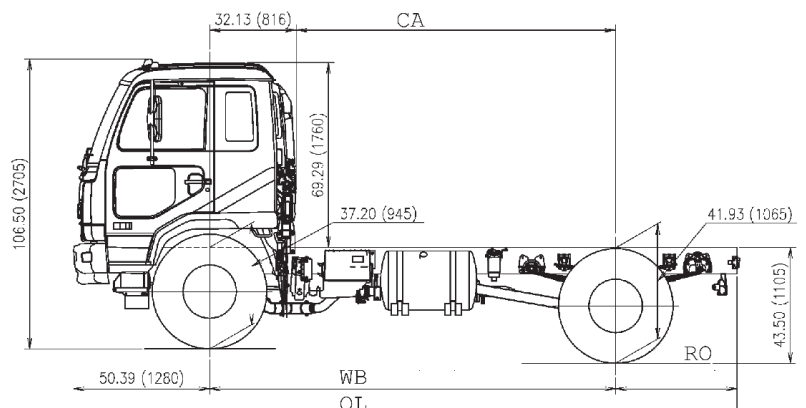
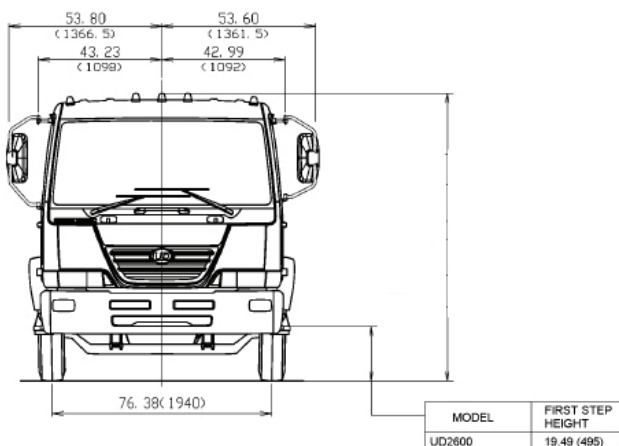
\*Approximate engine rpm only. Allison will provide a performance scan by application on request.

## CLUTCH

Hydraulic clutch with air assist  
13.8 in. cerametallic friction material  
Standard clutch wear indicator

## STEERING

Integral power steering, gear driven pump



# UD2600

2010 Model Year



## REAR AXLE

GAWR	18,080 lb.
Rated Axle Capacity	18,080 lb.
Axle Type	Full-floating banjo housing
Suspension Type	Semi-elliptic leaf springs with auxiliary springs

## WHEELS & TIRES

Tires	Front: Single, highway tread Rear: Dual, highway tread 11R22.5 - 14PR (tubeless radial)
Wheels	Steel disc type, 10 hole, 22.5 x 8.25 in., offset 6.50 in.

## BRAKE SYSTEM

Service Brakes	Anti-lock Braking System Dual line, air-over-hydraulic brake system
Front	Internal expanding, two leading shoe, self-adjusting drum brakes Drum diameter x lining width x lining thickness: 15.75 x 4.72 x 0.59 in.
Rear	Internal expanding, dual two leading shoe, self-adjusting drum brakes Drum diameter x lining width x lining thickness: 15.75 x 6.10 x 0.59 in.
Air Tanks	Supply: 641 in. <sup>3</sup> Front service: 549 in. <sup>3</sup> Rear service: 641 in. <sup>3</sup> Total: 1,831 in. <sup>3</sup>
Air Dryer	Standard
Parking Brake	Hand brake lever activating drum at rear of transmission

## EXHAUST BRAKE

Electrically controlled, pneumatically  
activated butterfly valve in exhaust pipe

## CHASSIS FRAME

Ladder type, channel section side rails

Dimensions (in.)	9.84 x 3.15 x 0.31
Assembled Width (in.)	33.86
Section Modulus (in. <sup>3</sup> ) **	26.6
Yield Strength (psi)	51,200
RBM (in.-lb.)	1,362,000

\*Height x Flange Width x Thickness

\*\*Measured at back-of-cab, specifications based on complete chassis (both rails)

## FUEL TANK

Round fuel tank, mounted to left side  
Capacity - 50 gallons

## CAB

Air Conditioner	Standard
Cab Glass	Windshield, tinted laminated, 2,314 in. <sup>2</sup>
Cruise Control	Standard
Door Vent Window	Driver, ventilating type
Driver's Seat	Height & seat back angle adjustable w/air suspension, cloth cover, high back type Standard
Floormat	Standard
Keyless Entry	Standard
Passenger Seat	Seat back angle adjustable. Cloth cover, high back
Power Windows & Door Locks	Standard
Seat Belts	Driver & passenger, 3-point ELR type
Rearview Mirrors	West coast type, 6.5 x 11 in. with Convex type, 5.8 x 4.3 in.
Steering Column	Tilt & telescopic type
Sun Visors	Driver & passenger
Windshield Wipers	Intermittent & 2 speed

## ELECTRICAL EQUIPMENT

Back-up lights  
Cigar lighter  
Clearance, identification & position lights  
Day-time running lights  
Halogen headlights, 2 lamps  
Interior and map light  
License light  
Side turn signal lights  
Stop/tail lights  
Turn signal/hazard lights  
Power outlet - 12 volt

## INSTRUMENTS

Meters & Gauges

Air pressure gauges  
Coolant temperature gauge  
Fuel gauge  
Speedometer, odometer & trip meter  
Tachometer

## Warning & Indicator

Lights & Buzzers

ABS warning light  
Alternator low charge warning light  
Automatic Transmission:  
- Check warning light  
- Range inhibited warning light  
- High temperature fluid warning  
light & buzzer  
Cab lock warning light & buzzer  
Engine control system warning light  
Engine glow plug indicator light  
Exhaust brake indicator light  
External air restriction indicator  
Hazard warning flasher  
High beam indicator light  
Low air pressure warning light & buzzer  
Low brake fluid level warning light  
& buzzer  
Low coolant level & overheating  
warning light & buzzer  
Low oil pressure warning light  
Parking brake indicator light  
Sedimentor warning light  
Service brake warning light & buzzer  
Turn signal indicator lights  
Warning lights with burnt-out bulb  
check function  
Backup alarm  
DPF warning/indicator lights

## OTHER OPTIONS

90 Gallon aluminum fuel tank  
AM/FM stereo radio with CD  
Air-Ride Suspension (N/A on E WB)  
Block heater  
Center console/third seat  
Heated mirrors  
Rear wheel parking brake  
Rear traction tires

All illustrations, specifications and descriptions in this specification are based on the latest product information available at the time of this publication. The right is reserved to make changes in price, materials, equipment, design, specifications, diagrams and models, and to discontinue models of equipment at any time, without notice and without incurring any obligation whatsoever. For more information on additional options and accessories, contact NISSAN DIESEL AMERICA, INC.

Manufacturer:  
NISSAN DIESEL MOTOR CO., LTD.  
Saitama, Japan

Distributor:  
NISSAN DIESEL AMERICA, INC.  
P.O. Box 152034  
Irving, Texas 75015-2034  
www.udtrucks.com