









OVERVIEW

Power:	206 kW (280 PS) @ 2,200 rpm
Torque:	1,050 Nm (774 lb.ft) @ 1,100 rpm
Transmission:	Allison 3000 Series
Suspension:	Multi-leaf spring or electronically controlled air suspension
GVM:	17,500 kg
GCM:	32,000 kg

Note: PK 18 280 shown may not be representative of actual vehicle.

CRONER UNIQUE FEATURES

- 
DRIVER EFFICIENCY Allison automatic transmission, clear dashboard layout and ergonomic cab means less fatigue for the driver.
- 
PRODUCTIVITY Wheelbase, rear-axle ratio and suspension options so you can optimise your truck for maximum productivity.
- 
PRODUCT UPTIME Robust component design and a high tensile steel frame, manufactured and tested to deliver optimal performance.
- 
FUEL EFFICIENCY High torque GH8E engine, Allison automatic transmission and UD's on-board fuel coach to maximise fuel efficiency.
- 
SAFETY Anti-lock Braking System (ABS), Electronic Brakeforce Distribution (EBD), driver's airbag and seatbelt pretensioner as standard.
- 
UPTIME SUPPORT Genuine service, parts, roadside assistance, driver training and telematics – support services to keep your truck on the road.

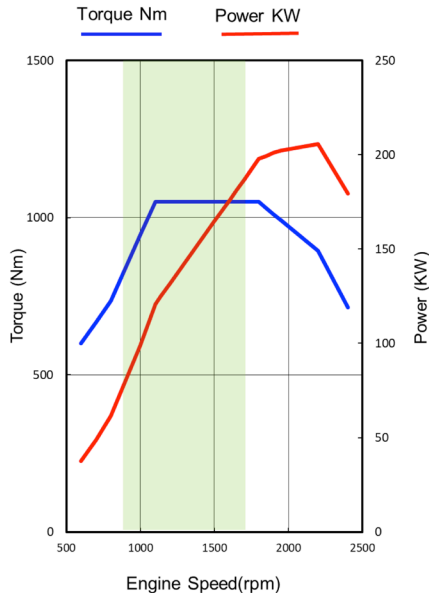
GENERAL SPECIFICATIONS

SAFETY

Passive Safety:	ECE R29 cab strength compliant ADR84 (ECE R93) Front Underrun Protection System (FUPS) SRS airbag with seat belt pretensioner
Basic Safety:	Electronic brakeforce distribution (EBD) Daytime running lights (DRL's) Front view spotter mirror Digital reverse camera

ENGINE

Model:	GH8E
Description:	6 cylinder, 4 stroke diesel engine
Displacement:	7,698 cc
Bore x stroke:	110 mm x 135 mm
Compression ratio:	17.5:1
Max. Power (ECE Net):	206 kW (280 PS) @ 2,200 rpm
Max. Torque (ECE Net):	1,050 Nm (774 lb.ft) @ 1,100 rpm
Max. governed engine speed:	2,500 rpm



FUEL AND INTAKE SYSTEM

Fuel capacity:	255 litre alloy tank with lockable cap
Injection type:	High pressure common rail direct fuel injection system
Filtration:	Chassis mounted primary filter and engine mounted secondary filter

EMISSION CONTROL

Emission standard:	Euro 5 emission standard
Emission system:	Selective Catalytic Reduction (SCR)
Adblue capacity:	50 litres
Exhaust system:	RHS chassis mounted box muffler

ELECTRICAL

Power:	24 volt, negative ground system
Battery capacity:	2 x 12 volt 110 Ah batteries
Alternator:	90 amp

TRANSMISSION

Make:	Allison
Model:	3000 Series
Description:	6 speed fully automatic with Gen 5 adaptive shift
Shift type:	Push button shift selector
Gear ratios:	1st 3.49 2nd 1.86 Rev 1 5.03 3rd 1.41 4th 1.00 5th 0.75 6th 0.65
PTO capability:	660 Nm using LHS or RHS openings 930 Nm total using both openings

TORQUE CONVERTER

Make:	Allison
Model:	TC-418
Stall torque ratio:	1:98:1

FRONT AXLE AND SUSPENSION SYSTEM

Ground capacity:	6,500 kg
Axle type:	Reverse Elliot I-Beam
Suspension:	Parabolic leaf spring with shock absorbers
Spring dimensions:	80 mm x 1,400 mm
Spring constant:	374 N/mm

REAR AXLE AND SUSPENSION SYSTEM

Ground capacity:	11,000 kg
Axle type:	Single reduction, hypoid gear
Final reduction ratio:	5.57

LEAF SUSPENSION:

Description:	Multi-leaf spring
Leaf dimensions:	80 mm x 1,275 mm

AIR SUSPENSION:

Description:	2 air bellow with Z spring
Air spring diameter:	323 mm
Shock absorbers:	2 telescopic double acting
Control system:	Electronic Controlled Air Suspension with programmable remote control mounted in cab (ECAS4)

BRAKES

Type:	Anti-lock Braking System (ABS)
Description:	Full air brake system with automatic adjusting S cam

	Front	Rear	Total
Drum diameter:	410 mm	410 mm	
Lining area:	2,094 cm ²	2,094 cm ²	4,188 cm ²
Park brakes:	Hand-operated pneumatic spring park brake on drive axle		
Auxiliary brake:	Exhaust pressure governor (EPG)		
Trailer connections:	Air and electrical connections to rear of chassis		

STEERING

Type:	Recirculating ball and screw with hydraulic assist
Steering gear ratio:	22.4:1
Column:	Adjustable, tilt and telescopic control
Steering wheel:	460 mm diameter with ignition key steering lock

WHEELS & TYRES

Wheels:	8.25in x 22.5in rim with 165mm offset and ISO 10 stud pattern (335mm PCD)
Front tyres:	275/70 R22.5 Bridgestone
Rear tyres:	275/70 R22.5 Bridgestone
Spare tyre:	275/70 R22.5 Bridgestone

FRAME

Width:	850 mm
Side rail dimensions:	236 mm x 70 mm x 8 mm
Material:	Rolled high tensile carbon steel
Tensile strength:	Min. 700 N/mm ² (71.3 kgf/mm ²)

STANDARD DRIVER AIDS

Warning systems:	23 visual warning lamps plus written warnings displayed on LCD screen
Driver assistance:	Driver information including: date, time, oil pressure, voltmeter, trip information Electronic stalk mounted cruise control GPS satellite navigation with HERE® truck mapping

INTERNAL CABIN

Lighting:	Dual ON/OFF/DOOR interior lights LED interior cabin lamp
Seating capacity:	Three
Driver's seat:	Air-suspended seat with adjustable shock absorber, recliner, height control and armrest
Passenger seat/s:	Assistant seat with adjustable head rest Foldable centre seat
Sleeping capability:	Rest area with mattress
Side windows:	Power operated door glass
Security:	Central locking
Air conditioning:	Manual controlled HVAC with recirculation filter
Multimedia unit:	6.1" touchscreen CD/DVD player with truck specific satellite navigation, digital radio.
Storage:	Multiple in-cab compartments
Power outlet:	24 volt 240W power outlet (dashboard) 12 volt 120W power outlet (console)
DIN accessory fitment:	Two DIN sized compartments
Floor covering:	Vinyl

EXTERNAL CABIN

Cab Description:	Forward control, pressed steel construction
Mounting type:	Spring suspended cab with 2 dual acting shock absorbers
Cab paint:	Standard – Calm White
Inspection points:	Back of the cab and front panel
Bumper type:	3 piece with steel corner panels
Mirrors:	Heated and electrically operated main mirrors with flat glass, wide vision and passenger-side downward facing spot mirrors
Lamps:	Halogen multi-reflector head lamps Bumper mounted fog lamps Roof mounted clearance lights
Wipers:	2-speed wipers with intermittent operation
Reversing system:	Reverse beeper

DEALER FIT OPTIONAL EQUIPMENT

Transmission PTO:	Specific to application (refer to dealer)
Cameras:	Up to 4 additional analogue cameras connected to the multimedia unit

PK Models available with 12000kg GVM on application:
Refer to your Dealer.



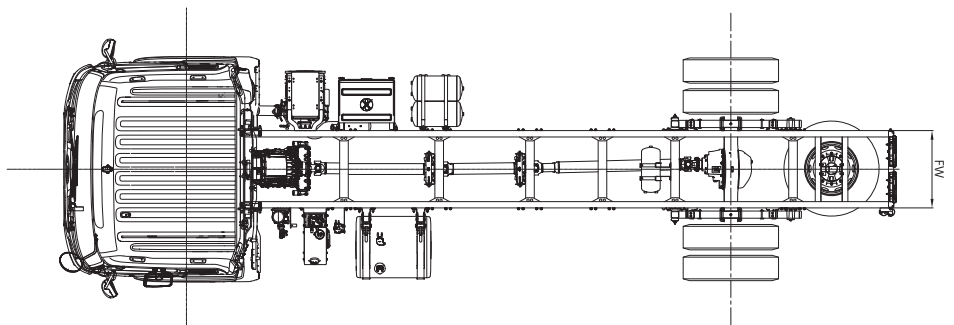
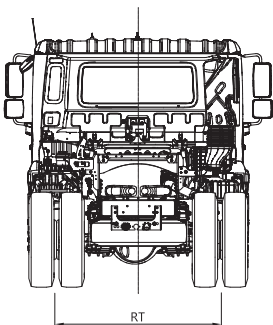
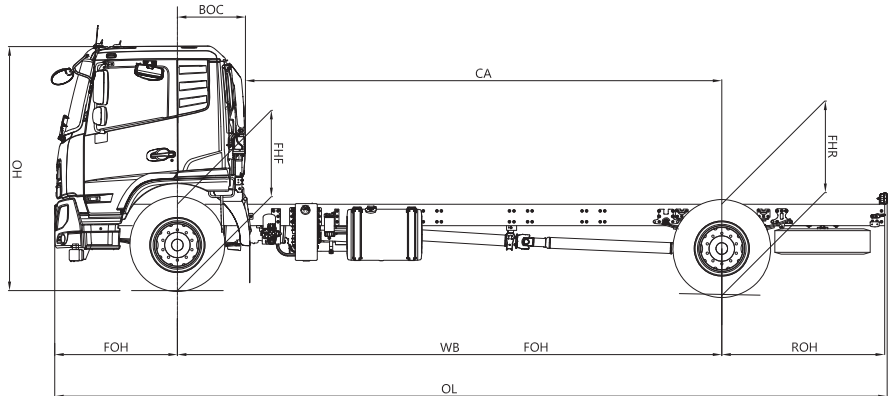
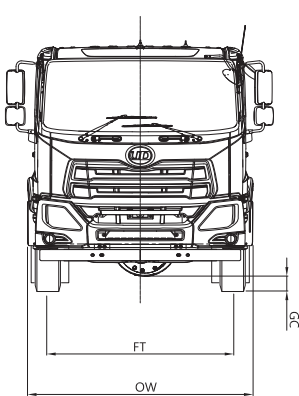
WEIGHTS AND DIMENSIONS (approx.)

Variant	Model	Mass (kg)					Vehicle Dimensions (mm)															
		GVM*	GCM	Front Tare ^{1,3}	Rear Tare ^{1,3}	Total Tare ^{1,3}	WB	OL	OW	OH	FT ⁴	RT ⁴	FW	FOH	ROH	BOC	CA	GC ²	FHF ²	FHR ²	Turning radius (kerb to kerb)	
Leaf	PK18280EAL	17500	32000	3190	2095	5285	3750	6910	2486	2772	2036	1835	850	1355	1795	750	4750	230	980	1066	6625	
	PK18280HAL			3265	2090	5355	4500	7710							1845						3750	7900
	PK18280NAL			3325	2170	5495	5500	9560							2695						4750	9625
	PK18280RAL			3365	2245	5610	6000	10210							2845						5250	10475
	PK18280RAL			3395	2255	5650	6500	11010							3145						5750	11325
Air	PK18280HAA	17500	32000	3235	2055	5290	4500	7710	2486	2772	2036	1835	850	1355	1845	750	4750	230	980	1022	7900	
	PK18280NAA			3295	2140	5435	5500	9560							2695						4750	9625
	PK18280RAA			3335	2215	5550	6000	10210							2845						5250	10475
	PK18280TAA			3365	2225	5590	6500	11010							3145						5750	11325

*Rated GVM and axle capacities are subject to legal requirements.

¹Mass is an estimation only based on standard model, includes fluids (not Diesel fuel or AdBlue). Excludes driver and tools.

²Based on vehicle with standard wheels and tyres.



WARRANTY

Standard warranty

24 months / 200,000 kms

Major components

36 months / 200,000 kms

For details refer to your UD Trucks New Vehicle Warranty brochure