



UD TRUCKS

# CRONER

## PK 18 280

4x2



### OVERVIEW

<b>Power:</b>	206 kW (280 PS) @ 2,200 rpm
<b>Torque:</b>	1,050 Nm (774 lb.ft) @ 1,100 rpm
<b>Transmission:</b>	Allison 3000 Series
<b>Suspension:</b>	Multi-leaf spring or electronically controlled air suspension
<b>GVM:</b>	17,500 kg
<b>GCM:</b>	32,000 kg

Note: PK 18 280 shown may not be representative of actual vehicle.

### CRONER UNIQUE FEATURES



**DRIVER EFFICIENCY** Allison automatic transmission, clear dashboard layout and ergonomic cab means less fatigue for the driver.



**PRODUCTIVITY** Wheelbase, rear-axle ratio and suspension options so you can optimise your truck for maximum productivity.



**PRODUCT UPTIME** Robust component design and a high tensile steel frame, manufactured and tested to deliver optimal performance.



**FUEL EFFICIENCY** High torque GH8E engine, Allison automatic transmission and UD's on-board fuel coach helps to maximise fuel efficiency.



**SAFETY** Anti-lock Braking System (ABS), Electronic Brakeforce Distribution (EBD), driver's airbag and seatbelt pretensioner as standard on all variants.



**UPTIME SUPPORT** Genuine service, parts, roadside assistance, driver training and telematics – support services to keep your truck on the road.

**UD Trucks Australia**  
[udtrucks.com/australia](http://udtrucks.com/australia)

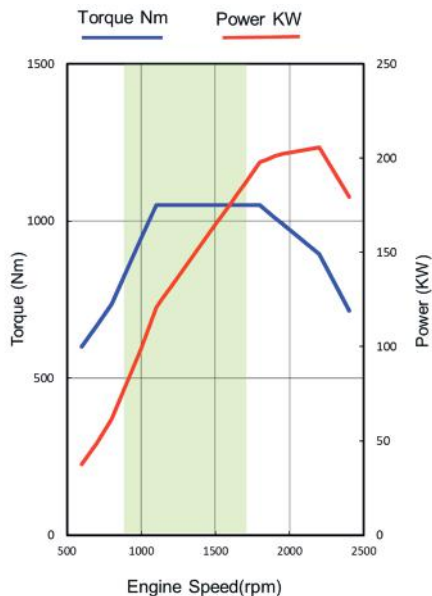
## GENERAL SPECIFICATIONS

### SAFETY

<b>Passive Safety:</b>	ECE R29 cab strength compliant ADR84 (ECE R93) Front Underrun Protection System (FUPS) SRS airbag with seat belt pretensioner
<b>Basic Safety:</b>	Electronic brakeforce distribution (EBD) Daytime running lights (DRL's) Front & side close view spotter mirrors Digital reverse camera

### ENGINE

<b>Model:</b>	GH8E
<b>Description:</b>	6 cylinder, 4 stroke diesel engine
<b>Displacement:</b>	7,698 cc
<b>Bore x stroke:</b>	110 mm x 135 mm
<b>Compression ratio:</b>	17.5:1
<b>Max. Power (ECE Net):</b>	206 kW (280 PS) @ 2,200 rpm
<b>Max. Torque (ECE Net):</b>	1,050 Nm (774 lb.ft) @ 1,100 rpm
<b>Max. governed engine speed:</b>	2,500 rpm



### FUEL AND INTAKE SYSTEM

<b>Fuel capacity:</b>	255 litre alloy tank with lockable cap
<b>Injection type:</b>	High pressure common rail direct fuel injection system
<b>Filtration:</b>	Chassis mounted primary filter and engine mounted secondary filter

### EMISSION CONTROL

<b>Emission standard:</b>	Euro 5 emission standard
<b>Emission system:</b>	Selective Catalytic Reduction (SCR)
<b>Adblue capacity:</b>	50 litres
<b>Exhaust system:</b>	RHS chassis mounted box muffler

### ELECTRICAL

<b>Power:</b>	24 volt, negative ground system
<b>Battery capacity:</b>	2 x 12 volt 110 Ah batteries
<b>Alternator:</b>	90 amp

### TRANSMISSION

<b>Make:</b>	Allison
<b>Model:</b>	3000 Series
<b>Description:</b>	6 speed fully automatic Allison with Gen 5 adaptive shift
<b>Shift type:</b>	Push button shift selector
<b>Gear ratios:</b>	<b>1<sup>st</sup></b> 3.49 <b>2<sup>nd</sup></b> 1.86 <b>Rev 1</b> 5.03 <b>3<sup>rd</sup></b> 1.41 <b>4<sup>th</sup></b> 1.00 <b>5<sup>th</sup></b> 0.75 <b>6<sup>th</sup></b> 0.65
<b>PTO capability:</b>	660 Nm using LHS or RHS openings 930 Nm total using both openings

### TORQUE CONVERTER

<b>Make:</b>	Allison
<b>Model:</b>	TC-418
<b>Stall torque ratio:</b>	1:98:1

### FRONT AXLE AND SUSPENSION SYSTEM

<b>Ground capacity:</b>	6,500 kg
<b>Axle type:</b>	Reverse Elliot I-Beam
<b>Suspension:</b>	Parabolic leaf spring with shock absorbers
<b>Spring dimensions:</b>	80 mm x 1,400 mm
<b>Spring constant:</b>	374 N/mm

### REAR AXLE AND SUSPENSION SYSTEM

<b>Ground capacity:</b>	11,000 kg
<b>Axle type:</b>	Single reduction, hypoid gear
<b>Final reduction ratio:</b>	5.57

#### LEAF SUSPENSION:

<b>Description:</b>	Multi-leaf spring
<b>Leaf dimensions:</b>	80 mm x 1,275 mm

#### AIR SUSPENSION:

<b>Description:</b>	2 air bellow with Z shaped leaf
<b>Air spring diameter:</b>	323 mm
<b>Shock absorbers:</b>	Telescopic double acting
<b>Road friendly certification number:</b>	RF2107
<b>Control system:</b>	Electronic Controlled Air Suspension with programmable remote control mounted in cab (ECAS4)

### BRAKES

<b>Type:</b>	Anti-lock Braking System (ABS)
<b>Description:</b>	Full air brake system with automatic adjusting S cam
<b>Drum diameter:</b>	<b>Front</b> 410 mm <b>Rear</b> 410 mm <b>Total</b>
<b>Lining area:</b>	2,094 cm <sup>2</sup> 2,094 cm <sup>2</sup> 4,188 cm <sup>2</sup>
<b>Park brakes:</b>	Hand-operated pneumatic spring park brake on drive axle
<b>Auxiliary brake:</b>	Exhaust pressure governor (EPG)
<b>Trailer connections:</b>	Air and electrical connections to rear of chassis

### STEERING

<b>Type:</b>	Recirculating ball and screw with hydraulic assist
<b>Steering gear ratio:</b>	22:4:1
<b>Column:</b>	Adjustable, tilt and telescopic control
<b>Steering wheel:</b>	460 mm diameter with ignition key steering lock

## WHEELS & TYRES

<b>Wheels:</b>	8.25in x 22.5in rim with 165mm offset and ISO 10 stud pattern (335mm PCD)
<b>Front tyres:</b>	295/80 R22.5 Bridgestone R294Z
<b>Rear tyres:</b>	11R 22.5 Bridgestone M766Z
<b>Spare tyre:</b>	295/80 R22.5 Bridgestone R294Z

## FRAME

<b>Width:</b>	850 mm
<b>Side rail dimensions:</b>	236 mm x 70 mm x 7 mm- wheelbase under 6000 mm 236 mm x 70 mm x 8 mm- wheelbase over 6000 mm
<b>Material:</b>	Rolled high tensile carbon steel
<b>Rail strength:</b>	Min. 700 N/mm <sup>2</sup> (71.3 kgf/mm <sup>2</sup> )

## STANDARD DRIVER AIDS

<b>Warning systems:</b>	23 visual warning lamps plus written warnings displayed on LCD screen
<b>Driver assistance:</b>	Driver information including: date, time, oil pressure, voltmeter, trip information Electronic stalk mounted cruise control GPS satellite navigation with HERE® truck mapping

## INTERNAL CABIN

<b>Lighting:</b>	Single interior door operated lamp LED interior roof lamp
<b>Seating capacity:</b>	Three
<b>Driver's seat:</b>	Air-suspended seat with adjustable shock absorber, recliner, height control and armrest
<b>Passenger seat/s:</b>	Assistant seat with adjustable head rest Foldable centre seat
<b>Sleeping capability:</b>	ADR42/04 compliant sleeper cab with mattress
<b>Side windows:</b>	Power operated door glass
<b>Security:</b>	Central locking
<b>Air conditioning:</b>	Manual controlled HVAC with recirculation filter
<b>Multimedia unit:</b>	8" high definition capacitive touchscreen with tilting function, CD & DVD player, AM-FM radio, digital radio & internet radio (requires phone data), USB & auxiliary ports & PDF reader, Wi-Fi & phone tethering enabled, Bluetooth handsfree operation, Android connectivity, Apple connectivity truck specific satellite navigation with 3 free map upgrades.
<b>Storage:</b>	Multiple in-cab compartments
<b>Power outlet:</b>	24 volt 240W power outlet (dashboard) 12 volt 120W power outlet (console)
<b>DIN accessory fitment:</b>	Two DIN sized compartments
<b>Floor covering:</b>	Vinyl

## EXTERNAL CABIN

<b>Cab Description:</b>	Forward control, pressed steel construction
<b>Mounting type:</b>	Spring suspended cab with 2 dual acting shock absorbers
<b>Cab paint:</b>	Standard – Calm White
<b>Inspection points:</b>	Back of the cab and front panel
<b>Bumper type:</b>	3 piece with steel corner panels
<b>Mirrors:</b>	Heated and electrically operated main mirrors with flat glass, wide vision and passenger-side downward facing spot mirrors
<b>Lamps:</b>	Halogen multi-reflector head lamps Bumper mounted fog lamps Roof mounted clearance lights
<b>Wipers:</b>	2-speed wipers with intermittent operation
<b>Reversing system:</b>	Reverse beeper and digital infrared camera with microphone

## UD CONNECT (FLEET MANAGEMENT)

<b>Telematics hardware:</b>	In-cab GSM and GPS unit with SIM-card connected to roof antenna
<b>Subscription:</b>	12 months included
<b>Key Reports:</b>	Total operational time and distance Average speed and fuel consumption Total CO2 emission Vehicle utilisation Anticipating & braking Engine & gear utilisation Speed adaptation Time idling (standstill)

## FACTORY OPTIONAL EQUIPMENT

<b>Tyres:</b>	275/70 R22.5
<b>Wheels:</b>	Alcoa aluminium wheels
<b>Rear axle ratio:</b>	6.17:1
<b>Rear engine PTO:</b>	1,410 flange 600 Nm capacity
<b>Transmission</b>	
<b>PTO position:</b>	Top mount, 1 o'clock
<b>Cab paint:</b>	Custom paint colours

## DEALER FIT OPTIONAL EQUIPMENT

<b>Transmission PTO:</b>	Specific to application (refer to dealer)
<b>Cameras:</b>	Up to 4 additional analog cameras connected to the multimedia unit
<b>Multimedia:</b>	Tyre Pressure Monitoring System (TPMS) Reverse sensors (high or low fitment) Wireless phone charging pocket

## PERFORMANCE (calculated)

**Max. road speed:** 100 km/hr (ADR 65/00 – speed limited)  
**Gradeability 1<sup>st</sup> gear:** 41.3% @ 17,500 kg  
**Gradeability top gear:** 2.1 % @ 17,500 kg  
**Est. RPM @ 100km/h:** 1,878 rpm

Note: All performance data is calculated and based on vehicle with standard rear axle ratio and tyre size

## WEIGHTS AND DIMENSIONS (approx.)

Variant	Model	Mass (kg)					Vehicle Dimensions (mm)													
		GVM <sup>1</sup>	GCM	Front Tare <sup>1,3</sup>	Rear Tare <sup>1,3</sup>	Total Tare <sup>1,3</sup>	WB	OL	OW	OH	FT <sup>4</sup>	RT <sup>4</sup>	FW	FOH	ROH	BOC	CA	GC <sup>2</sup>	FHF <sup>2</sup>	FHR <sup>2</sup>
PK18280JAL	17500	32000	3363	1944	5307	4600	8000	2486	2772	2036	1835	850	1355	1995	750	3855	230	980	1066	8047
PK18280KAL			3280	2110	5390	4750	8110							1995		4000				8325
PK18280MAL			3320	2125	5445	5250	8710							2095		4500				9175
PK18280NAL			3325	2170	5495	5500	9560							2695		4750				9625
PK18280RAL			3365	2245	5610	6000	10210							2845		5250				10475
PK18280TAL			3395	2255	5650	6500	11010							3145		5750				11325
PK18280JAA	17500	32000	3400	1940	5340	4600	8000	2486	2772	2036	1835	850	1355	1995	750	3855	230	980	1066	8047
PK18280KAA			3250	2075	5325	4750	8110							1995		4000				8325
PK18280MAA			3290	2090	5380	5250	8710							2095		4500				9175
PK18280NAA			3295	2140	5435	5500	9560							2695		4750				9625
PK18280RAA			3335	2215	5550	6000	10210							2845		5250				10475
PK18280TAA			3365	2225	5590	6500	11010							3145		5750				11325

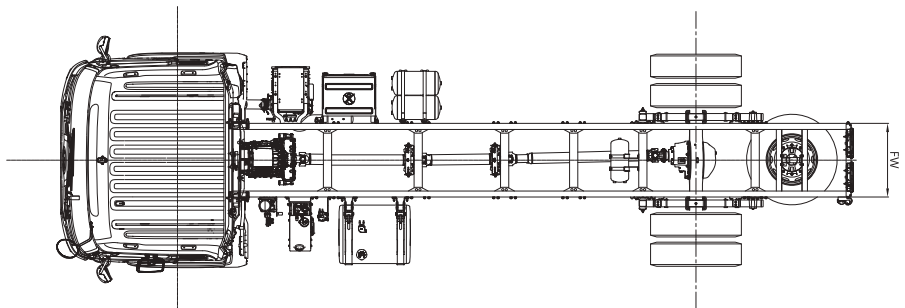
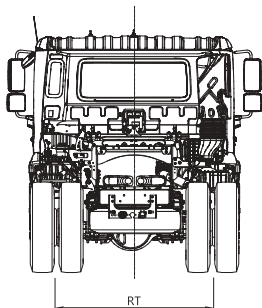
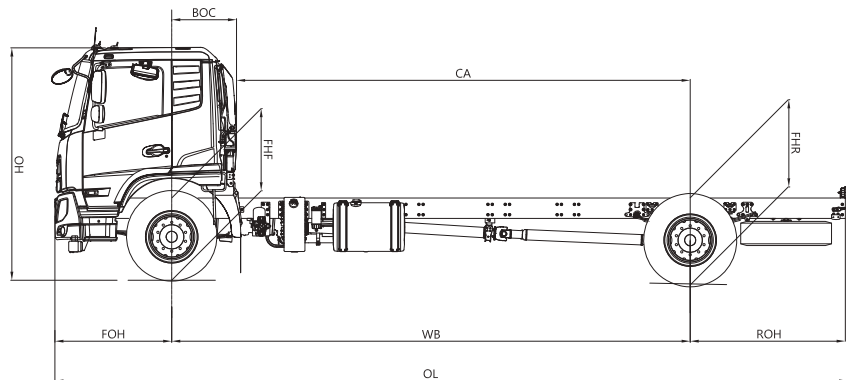
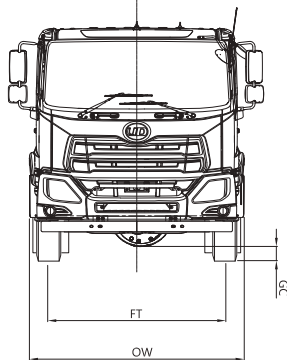
\*Rated GVM and axle capacities are subject to Federal, State and Territory legal requirements.

<sup>1</sup> Mass is an estimation only based on standard model, includes fluids (not Diesel fuel or AdBlue) excludes driver and tools.

<sup>2</sup> Based on vehicle with standard wheels and tyres.

<sup>3</sup> For alloy rims deduct 28kg from Front Tare and deduct 55kg from Rear Tare.

<sup>4</sup> For alloy rims add 18mm to both FT and RT measurements.



## WARRANTY

**Standard warranty<sup>+</sup>** 36 months / 300,000 kms  
**Cab corrosion warranty<sup>+</sup>** 36 months / unlimited kms  
**Extended warranty<sup>++</sup>** 60 months / 350,000 kms

<sup>+</sup>For details refer to your UD Trucks New Vehicle Warranty brochure

<sup>++</sup>Purchased by the owner and covers selected factory items only. For details refer to your UD Trucks New Vehicle Warranty brochure

**UD Trucks Australia**  
[udtrucks.com/australia](http://udtrucks.com/australia)

DISCLAIMER: Imported and distributed by Volvo Group Australia Pty Ltd (ABN: 27 000 761 259). Photos for illustration purposes. Volvo Group Australia Pty Ltd reserves the right to modify design and change equipment without previous notification. Please consult with your UD Trucks Dealer for the latest information about vehicle specifications.

Last published November 2022