



# QUON 8-Litre

## CW 25 360

6x4 Rigid







### SPECIFICATIONS

<b>Power:</b>	263 kW (357 PS) @ 2200 rpm
<b>Torque:</b>	1428 Nm (1055 lb.ft) @ 1200 rpm
<b>Transmission:</b>	ESCOT-VI automated manual transmission (AMT)
<b>Suspension:</b>	Air bag suspension
<b>Wheelbase:</b>	3700 mm (L-wheelbase) 5700 mm* (V-wheelbase)
<b>GVM:</b>	25,000 kg
<b>GCM:</b>	25,000 kg (standard) 38,000 kg

Note: CW 25 360 shown may not be representative of actual vehicle.  
\*Wheelbase measurements are from steer axle to first drive axle.

### QUON UNIQUE FEATURES

-  **SMART FUEL EFFICIENCY AND RESPECT FOR THE ENVIRONMENT**  
GH8 engine: fuel efficient, powerful and clean.
-  **SMART UPTIME**  
Quon has been designed to further optimise uptime, with superior reliability and increased maintenance intervals.
-  **SMART SAFETY**  
Active safety with mechanical and electronic features throughout, including safety for vulnerable road users.
-  **SMART PRODUCTIVITY**  
Light weight chassis helping to maximise payload.
-  **SMART DRIVABILITY**  
The cabin has been designed with the user's comfort in mind, with outstanding ergonomics and visibility allowing the driver to concentrate on driving.

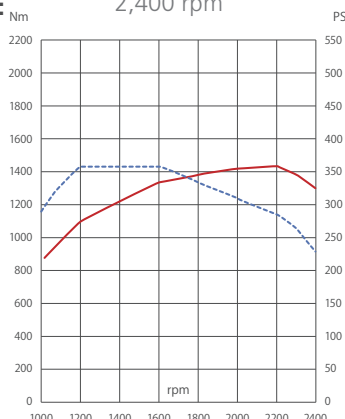
# GENERAL SPECIFICATIONS

## SAFETY

<b>Passive Safety:</b>	Highly rigid cabin Side door beams Front underrun protection system (FUPS) ECER29 cab strength rating SRS driver steering wheel airbag Driver side seat belt with pre-tensioner Steering wheel & column with impact absorption function
<b>Active Safety:</b>	Traffic Eye Brake System Traffic Eye Cruise Control with auto stop and driver initiate go LDWS (Lane Departure Warning System) Electronic Stability Control (UDSC) Automatic Hill Start Assist (HSA) Lane change support LHS & RHS Blind side information system LHS & RHS
<b>Basic Safety:</b>	LED Headlamps (low beam) Disc brakes Anti Locking Brake System Emergency Braking System UD Extra Engine Braking (UD EEB) Safe Brake Blending Immobiliser Two-step entry & exit

## ENGINE

<b>Model:</b>	GH8F
<b>Description:</b>	6 cylinder, 4 stroke diesel engine
<b>Displacement:</b>	7,698 cc
<b>Bore x stroke:</b>	110 mm x 135 mm
<b>Compression ratio:</b>	17.5:1
<b>Max. Power (ECE Net):</b>	263 kW (357PS) @ 2,200 rpm
<b>Max. Torque (ECE Net):</b>	1,428 Nm (1,050 lb.ft) @ 1,200 rpm
<b>Max. governed engine speed:</b>	2,400 rpm



## FUEL AND INTAKE SYSTEM

<b>Fuel capacity:</b>	400 litres
<b>Injection type:</b>	High pressure common rail direct fuel injection system
<b>Filtration:</b>	Chassis mounted primary filter and engine mounted secondary filter

## EMISSION CONTROL

<b>Emission standard:</b>	pPNLT (equivalent to Euro 6 emission requirements)
<b>Adblue capacity:</b>	50 litres
<b>Exhaust system:</b>	RHS chassis mounted box muffler

## ELECTRICAL

<b>Power:</b>	24 volt, negative ground system
<b>Battery capacity:</b>	2 x 12 volt 135 Ah batteries
<b>Alternator:</b>	110 amp

## TRANSMISSION - ESCOT

<b>Make:</b>	UD Trucks		
<b>Model:</b>	ESCOT-VI (AT2612F)		
<b>Description:</b>	Automated manual transmission (AMT)		
<b>Shift type:</b>	12 forward & 2 reverse gears		
<b>Gear ratios:</b>	Electronic shifter with fully automatic or manual control		
<b>1<sup>st</sup></b>	14.94	<b>7<sup>th</sup></b>	3.44
<b>2<sup>nd</sup></b>	11.73	<b>8<sup>th</sup></b>	2.70
<b>3<sup>rd</sup></b>	9.04	<b>9<sup>th</sup></b>	2.08
<b>4<sup>th</sup></b>	7.09	<b>10<sup>th</sup></b>	1.63
<b>5<sup>th</sup></b>	5.54	<b>11<sup>th</sup></b>	1.27
<b>6<sup>th</sup></b>	4.35	<b>12<sup>th</sup></b>	1.00
<b>Rev 1</b>	17.48	<b>Rev 2</b>	13.73
<b>PTO capacity:</b>	1000 Nm @ 70% or 90% (PTR-D)		

## FRONT AXLE AND SUSPENSION SYSTEM

<b>Ground capacity:</b>	8,200 kg
<b>Axle type:</b>	Reverse Elliot I-Beam
<b>Suspension:</b>	Parabolic leaf spring with shock absorbers
<b>Spring dimensions:</b>	90mm x 1460mm
<b>Spring constant:</b>	347.7 N/mm

## REAR AXLE AND SUSPENSION SYSTEM

<b>Ground capacity:</b>	21,000 kg
<b>Axle type / model:</b>	Single reduction, hypoid gear, with cross locks.
<b>Final reduction ratio:</b>	3.78, 4.13, 4.50
<b>LEAF SUSPENSION Description:</b>	Multi-leaf spring suspension, with rubber cushions
<b>Leaf dimensions:</b>	<b>75mm x 1380mm</b>
<b>AIR SUSPENSION Description:</b>	8 air bag with shock absorbers
<b>Road friendly certification number:</b>	RF2099 (air only)
<b>Control system:</b>	Electronic Controlled Air Suspension with remote control mounted in cab (ECAS4)

## BRAKES

<b>Type:</b>	Electronic braking system (EBS) with disc brakes on all axles
<b>Front/Rear:</b>	430 mm rotors / 430 mm rotors
<b>Park brakes:</b>	Hand-operated pneumatic spring park brake on drive axles
<b>Auxiliary brake:</b>	Exhaust plus engine compression type (EEB)
<b>Trailer connections:</b>	Air and electrical connections to rear of chassis

## STEERING

<b>Type:</b>	Recirculating ball and screw with hydraulic assist
<b>Steering gear ratio:</b>	24.1 - 26.8 : 1
<b>Column:</b>	Adjustable, tilt and telescopic control
<b>Steering wheel:</b>	460 mm diameter with ignition key steering lock

## WHEELS & TYRES

<b>Wheels:</b>	8.25in x 22.5in steel rim with 165mm offset and ISO 10 stud pattern (335mm PCD)
<b>Front tyres:</b>	295/80 R22.5 Bridgestone R150Z
<b>Rear tyres:</b>	11R 22.5 Bridgestone MZ11AZ
<b>Spare tyre:</b>	295/80 R22.5 Bridgestone R150Z

## FRAME

<b>Width:</b>	850 mm
<b>Side rail dimensions:</b>	300 mm x 90 mm x 8 mm
<b>Material:</b>	Rolled high tensile carbon steel
<b>Tensile strength:</b>	600MPa / 600N/mm <sup>2</sup>

## DRIVER INFORMATION & CUSTOMISABLE COLOUR DISPLAY SCREEN

<b>In Dash Warning Systems:</b>	Visual warning lamps with audible warning tones plus written warnings displayed in full colour on the information screen
<b>In Dash Driver Assistance:</b>	Customisable live information includes: On board fuel coaching with economy tips, fuel & AdBlue usage, instant fuel consumption, digital speedo, trip computer including time, distance & distance to empty.  Hour meter, coolant temp, engine oil temp, transmission oil temp, UDPC level and volt meter.

## INTERNAL CABIN

<b>Lighting:</b>	Dual ON/OFF/DOOR interior lights Interior neon cabin lamp
<b>Seating capacity:</b>	Two (Three seats optional)
<b>Driver's seat:</b>	ISRI 6860/875 air suspended seat with integrated seat belt & adjustable arm rest. Adjustable height control & rebound damper. With split seat back adjustments for recline & head rest position. Seat base tilt, seat cushion slide, seat air dump switch. Adjustable air bladders (4) for side bolsters, upper & lower lumbar
<b>Passenger seat/s:</b>	Assistant seat with adjustable head rest
<b>Sleeping capability:</b>	ADR 42/04 compliant sleeper bunk with mattress
<b>Side windows:</b>	Power operated door glass with auto up & down to driver's window. Isolation switch for passenger side window.
<b>Security:</b>	Remote central locking with immobiliser
<b>Air conditioning:</b>	Fully automatic climate controlled airconditioning with recirculation filter.
<b>Multimedia unit:</b>	8 inch high definition capacitive touchscreen with tilting function, AM-FM radio, digital radio & internet radio (requires phone data), USB & auxiliary ports & PDF reader, standard WDR digital reverse camera with microphone & infra-red function, four additional camera inputs with split screen functionality, Wi-Fi & phone tethering enabled, bluetooth handsfree operation.

<b>Multimedia Unit (continued):</b>	Android connectivity, Apple connectivity with Siri inputs, truck specific satellite navigation with 3 free map upgrades. Options available: cordless Qi rated phone charging pocket, tyre pressure monitoring & reverse sensors
<b>Storage:</b>	Multiple in-cab compartments
<b>Power outlet:</b>	24 volt 240W & 12 volt 120W in dash
<b>DIN accessory fitment:</b>	Two DIN sized compartments
<b>Floor covering:</b>	Vinyl

## EXTERNAL CABIN

<b>Cab Description:</b>	Forward control, pressed steel construction
<b>Mounting type:</b>	Full floating, 4 bag air suspended cab with 4 dual acting shock absorbers and dual automatic height control valves
<b>Cab paint:</b>	Standard – "Polar White"
<b>Inspection points:</b>	Back of the cab and front panel
<b>Bumper type:</b>	3 piece with steel corner panels
<b>Mirrors:</b>	Heated & electrically operated main mirrors with flat glass, wide vision & passenger-side downward facing spot mirrors
<b>Lamps:</b>	LED head lamps (low beam) Bumper mounted fog lamps Roof mounted clearance lights
<b>Wipers:</b>	Triple arm, 2 speed wipers with variable intermittent operation & integrated washers
<b>Reversing system:</b>	Reverse beeper and digital infrared camera with microphone

## UD CONNECT (FLEET MANAGEMENT)

<b>Telematics hardware:</b>	In-cab GSM and GPS unit with SIM-card connected to roof antenna
<b>Subscription:</b>	12 months included
<b>Key Reports:</b>	Total operational time and distance Average speed and fuel consumption  Total CO <sup>2</sup> emission Vehicle utilisation Anticipating & braking Engine & gear utilisation Speed adaptation Time idling (standstill)

## FACTORY OPTIONAL EQUIPMENT

<b>Tyres:</b>	275/70 R22.5
<b>Wheels:</b>	Alcoa aluminium wheels
<b>Rear engine PTO:</b>	DIN 5462 or Flange SAE1410, 650 Nm capacity
<b>Safety:</b>	Driver Alert System Driver Monitor System
<b>Cab paint:</b>	Custom paint colours
<b>Cab Interior:</b>	Leather steering wheel, Woodgrain dash, Centre console or 2nd passenger seat
<b>Cab Exterior:</b>	Roof scoop, Chrome grille, Roof beacon prep kit, Bumper spoiler, passenger door peep window, cab auxilliary side windows
<b>Additional Wheelbases:</b>	4,250mm 4,700mm 5,100mm
<b>Chassis:</b>	Additional 400 litre fuel tank (V wheelbase only), Front axle stabiliser bar

# MAJOR DIMENSIONS

Variant	Wheelbase code	Mass (kg)					Vehicle Dimensions (mm)															Turning radius (kerb to kerb)	UD order code		
		GVM*	GCM	Front Tare <sup>1,3</sup>	Rear Tare <sup>1,3</sup>	Total Tare <sup>1,3</sup>	WB	TWB	OL	OW	OH	FT <sup>4</sup>	RT <sup>4</sup>	FW	AS	FOH	ROH	RFL	BOC	CA	GC <sup>2</sup>			FHF <sup>2</sup>	FHR <sup>2</sup>
UD – Air	L	25000	38000	3981	3532	7513	3700	4385	8234	2490	2970	2044	1833	850	1370	1392	2460	3145	715	2985	201	1022	1029	6900	CW25360LAA
	V	25000	38000	4014	3688	7702	5700	6385	11474	2490	2970	2044	1833	850	1370	1392	3610	4295	715	4985	201	1027	1029	9800	CW25360VAA

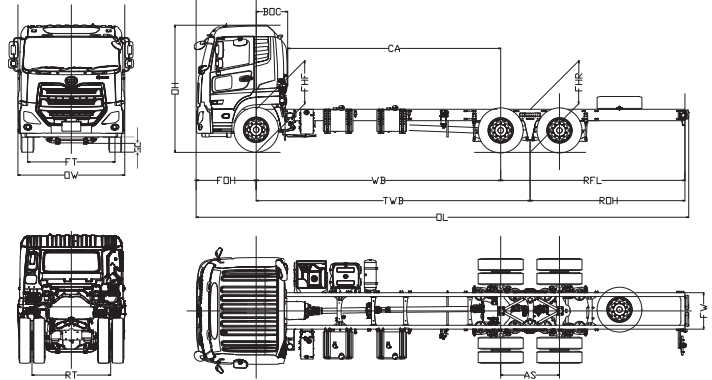
\*Rated GVM and axle capacities are subject to Federal, State and Territory legal requirements.

<sup>1</sup> Mass is an estimation based only on standard model, includes fluids (no diesel fuel or Adblue®). Excludes spare wheel. Excludes driver and tools. Subject to ± 3% tolerance.

<sup>2</sup> Based on vehicle with standard wheels and tyres

<sup>3</sup> For alloy rims deduct 28kg from Front Tare and deduct 111kg from Rear Tare

<sup>4</sup> For alloy rims add 18mm to both FT and RT measurements



# WARRANTY

<b>Standard warranty<sup>+</sup></b>	36 months / 500,000 kms
<b>Cab corrosion warranty<sup>+</sup></b>	36 months / unlimited kms
<b>Extended warranty<sup>++</sup></b>	60 months / 500,000 kms

<sup>+</sup>For details refer to your UD Trucks New Vehicle Warranty brochure

<sup>++</sup>Purchased by the owner and covers selected factory items only. For details refer to your UD Trucks New Vehicle Warranty brochure