

NISSAN DIESEL AMERICA, INC.

RECALL BULLETIN 03V-010

DATE: APRIL 21, 2003
MODEL YEAR: 2003
CHASSIS MODEL: UD1800CS/UD1800HD/UD2000/UD2300
BULLETIN NUMBER: SC-010
FILE IN THE P.T.O. & PROPELLER SHAFT SECTION OF THE TECHNICAL BULLETIN BINDER

VOLUNTARY SAFETY RECALL CAMPAIGN NUMBER 03V-010: 2003 MODEL YEAR UD1800CS, UD1800HD, UD2000 AND UD2300 MODEL VEHICLES PROPELLER SHAFT INSPECTION AND REPLACEMENT

MODELS AFFECTED

Certain 2003 model year UD1800CS, UD1800HD, UD2000 and UD2300 model vehicles produced between August 2002 and November 2002. Each dealer will receive a computer listing of affected vehicle identification numbers in either unsold inventory or retail delivered to customers by the dealer. The range of applicable vehicles, listed below by model and VIN, involved in this safety recall is as follows:

UD1800CS	from	JNAMCU2H73AH70039	to	JNAMCU2HX3AG70078
UD1800HD	from	JNAMA33HX3AE70073	to	JNAMA43H33AH70107
UD2000	from	JNAMB33H23AE70095	to	JNAMB33H13AE70153
UD2300	from	JNALC43H43AH70090	to	JNALC33HX3AN70130

DESCRIPTION

The possibility exists that the flange yoke on one or more individual drive shaft sub-sections may develop a crack in the shoulder supporting the U-joint due to improper heat treatment during manufacturing. If a crack develops in a drive shaft flange yoke while the vehicle is moving, the yoke may break and cause the drive shaft sub-sections to disengage from the transmission and possibly be ejected from under the vehicle. This will result in the vehicle becoming disabled and could potentially cause an accident or damage to other vehicles on the roadway.

The repairs to correct this condition consist of removing each drive shaft sub-section and verifying the manufacturing date code stamped onto the flange yoke. Flange yokes that are identified as being manufactured between the affected dates will have the drive shaft sub-section replaced.

All owners of the involved vehicles will be notified by mail and instructed to schedule an appointment with an authorized UD Truck Dealer to have this Safety Recall performed. This repair will be made free of charge to the UD Truck Customer.

The National Highway Traffic Safety Administration has assigned the identification number 03V-010 to this Safety Recall. This number must appear on all communications and documentation of any nature related to the campaign described in this bulletin.

ADMINISTRATION / DEALER RESPONSIBILITY

Proceed immediately to make the necessary inspection and repairs to the involved vehicles in unsold dealer inventory. All inventory vehicles (new or used) subject to this recall must be corrected prior to sale, transfer or delivery. Each dealer will receive a computer listing of all involved vehicle identification numbers in either unsold inventory or retail delivered to customers. With this computer listing, the dealer will also receive an "Authorization for Recall Notification Service" card for all unsold or undelivered inventory vehicles. This postage pre-paid card must be filled out correctly and returned to the address on the card indicating whether the vehicle was repaired, transferred, sold, etc. (refer to the UD Warranty Policies & Procedures Manual, Part III, Section 1). For vehicles without an "Authorization for Recall Service" card, check the vehicle identification number with the Vehicle Service Notification screen of the NDANET2 Warranty Claim System menu to verify that it requires the safety recall.

PARTS INFORMATION

The parts required to complete the repairs as described in this Safety Recall are available immediately for UD Dealers through the NDA Parts Operations Department. Dealers should base their parts order on the number of unsold/undelivered vehicles and also on the number of retail delivered vehicles that appear on their computer listing or on the Vehicle Service Notification screen.

SERVICE INFORMATION

Before servicing the vehicle, read the entire set of instructions first. Observe the following safety precautions to prevent personal injury, damage to property, or both:

- **Park the vehicle on a flat surface, place the manual transmission in NEUTRAL (PARK for automatic transmission), set the parking brake and chock the rear wheels.**
- **Turn the engine off and allow the vehicle to cool before servicing.**

1. Some vehicles may have been previously repaired, indicated by the label placed on the inside of the driver's door above the latch as shown below.

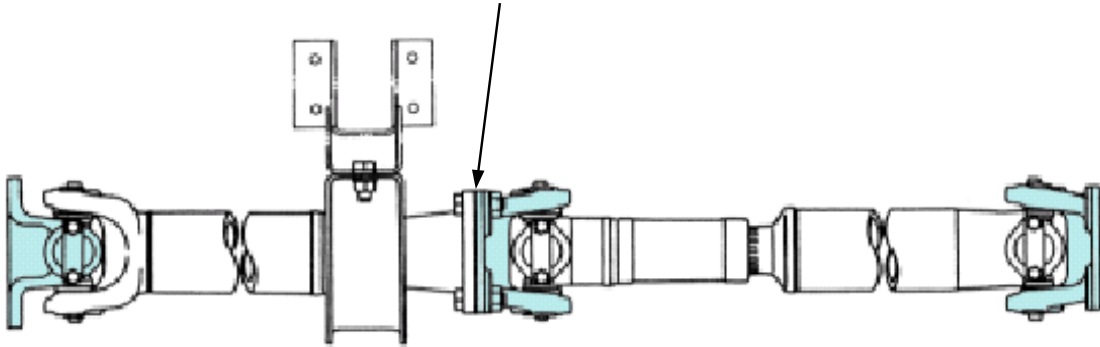
**THIS LABEL INDICATES THAT THE VEHICLE
HAS BEEN PREVIOUSLY REPAIRED**



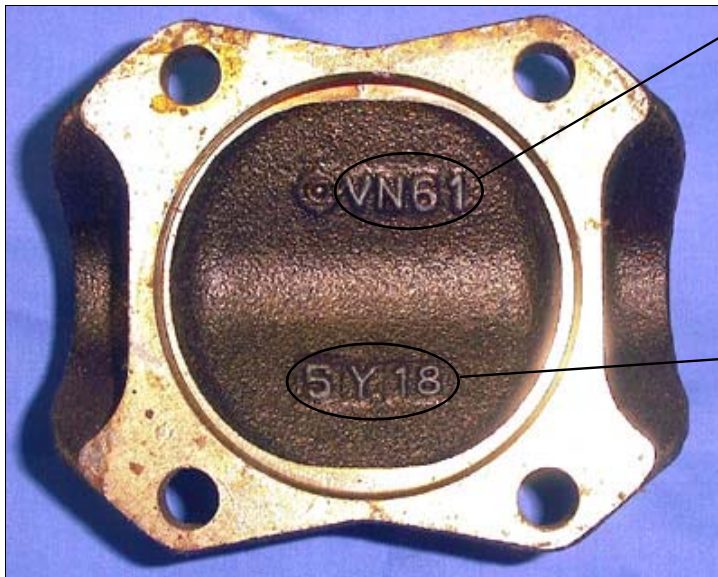
- If the involved vehicle has the label on the inside of the driver's door as shown above, the recall has already been performed and no further action is required.
- If the involved vehicle does not have the label on the inside of the driver's door, verify through the Vehicle Service Notification screen of the NDANET2 system that the recall is required. Complete the safety recall, if the vehicle requires it, according to the following instructions.

SERVICE INFORMATION (continued)

- Note the position and orientation of the drive shafts before removal. If it is necessary to install a replacement shaft, it is important that it be installed in exactly the same position and orientation as the removed shaft. Make matching marks on the yoke flanges of adjacent drive shafts.



- Remove all of the drive shafts from the involved vehicle. Save the nuts and bolts for reinstallation.
- Mark each removed drive shaft as either #1, #2 or #3 depending on its position in the driveline, with #1 being closest to the transmission.
- Inspect the manufacturing and date codes stamped into the yoke flanges as shown below.



If the manufacturing code stamped in the upper position is:

MN12 or MN22 . .

. . AND . .

if the date code stamped in the lower position is:

2728, 2731 or 2802 . .

**. . THE DRIVE SHAFT ASSEMBLY
MUST BE REPLACED.**

- Any combination of the manufacturing and date codes in the upper position (MN12 or MN22) **and** in the lower position (2728, 2731 or 2802) as illustrated above requires the replacement of the affected drive shaft.
- Reinstall the drive shafts if the manufacturing and date codes differ from the five numbers listed above.
- Dealers are requested to record the manufacturing and date codes of the drive shafts that are not replaced. This information should be recorded on the service department repair order and then entered into the "Repairs Made" field of the UD Warranty Claim.

SERVICE INFORMATION (continued)

6. Install replacement drive shafts, as necessary, in the same position and orientation as the removed shafts using the original nuts and bolts.
7. When reinstalling the original drive shafts, ensure that the matching marks line up properly.
8. Tighten the flange yoke nuts and bolts to 88 ~ 108 N•m (9 ~ 11 kgf•m, 65 ~ 79 ft•lbs) torque.
9. Tighten the carrier bearing mounting bracket nuts to 79 ~ 107 N•m (8.1 ~ 10.9 kgf•m, 59 ~ 79 ft•lbs) torque.
10. Retain and protect the replaced drive shafts for inspection and disposition by the responsible Technical Support Manager (TSM).
11. Record the completion date on the Safety Recall 03V-010 sticker and apply it to the driver's side door post.

WARRANTY INFORMATION

Expenses for inspecting and replacing the drive shafts as described in this Safety Recall are to be recovered through the standard UD Warranty Claim procedures listed in the UD Warranty Policies & Procedures Manual, Part V. Use the following information to prepare your claims:

WARRANTY CODE	K583
TROUBLE CODE	57003306
FAILED PART NUMBER	37117Z9001
REPAIR DESCRIPTION	PERFORM SAFETY RECALL 03V-010
LABOR OPERATION	570A
LABOR TIME ALLOWED	1.0 HRS/UNIT (VEHICLES WITH ONE DRIVE SHAFT) 1.5 HRS/UNIT (VEHICLES WITH TWO DRIVE SHAFTS) 2.0 HRS/UNIT (VEHICLES WITH THREE DRIVE SHAFTS)
REPAIRS MADE	Enter the manufacturing and date code numbers of the drive shafts that were inspected but did not require replacement. EXAMPLE: 1st shaft: MM10 / 2720 2nd shaft: MM09 / 2610 and MM10 / 2710