

# RECALL BULLETIN 05V-34I

DATE: OCTOBER 11, 2005  
 MODEL YEAR: 2005 thru Early Production 2006  
 CHASSIS MODEL: UD1800HD, UD2000, UD2300, UD2600, UD3300  
 BULLETIN NUMBER: SC-341

FILE IN THE ENGINE SECTION OF THE TECHNICAL BULLETIN BINDER

## VOLUNTARY SAFETY RECALL CAMPAIGN NUMBER SC-34I : EXHAUST PIPE REPLACEMENT

### MODELS AFFECTED

2005 and early 2006 Model Year UD1800HD, UD2000, UD2300, UD2600 and UD3300 model vehicles produced between February 1, 2004 and May 30, 2005. The list below indicates the starting and ending production VIN's for the affected models. Each dealer will receive a computer listing of the affected vehicles in either their unsold inventory or that have been retail delivered.

Year	Model	Starting Sequence	Thru	Ending Sequence
2005	UD1800HD	JNAMA80H95AF50002		JNAMA80H65AF50216
	UD2000	JNAMB80H35AH50001		JNAMB80H95AN50379
	UD2300	JNALC80H35AN50001		JNALC80H25AK50191
	UD2600	JNAPA80H65AN50002		JNAPA80H85AS50610
	UD3300	JNAPC80L15AR50001		JNAPC80L55AR50048
2006	UD1800HD	JNAMA80H36AE55002		JNAMA80H16AH55086
	UD2000	JNAMB80H46AH55001		JNAMB80H66AH55159
	UD2300	JNALC80H36AH55001		JNALC80H06AH55070
	UD2600	JNAPA80H56AN55001		JNAPA80HX6AS55244
	UD3300	JNAPC80L96AE55002		JNAPC80L26AR55029

## DESCRIPTION

The possibility exists that the exhaust pipe between the turbocharger and the exhaust brake assembly may develop a crack at the exhaust pipe mounting flange during normal vehicle operation.

This is due to insufficient material strength of the exhaust pipe to absorb the normal resonate vibrations when the exhaust brake is applied.

Repairs to correct this condition consist of replacing the existing exhaust pipe with an exhaust pipe made with Stainless Steel tubing.

Owners of the involved vehicles will be notified by certified mail and instructed to schedule an appointment with an authorized UD Truck Dealer to have this Safety Recall performed. This repair will be made free of charge to the UD Truck Customer.

The National Highway Traffic Safety Administration has assigned the identification number 05V-341 to this Safety Recall. This number must appear on all communications and documentation of any nature that refer to the campaign described in this bulletin.

Safety Recall Parts Kits are available immediately through the NDA Parts Operations Department. Dealers should base their parts order on the number of unsold/undelivered (new) vehicles and of retail delivered vehicles that appear on the computer listing.

## ADMINISTRATION / DEALER RESPONSIBILITY

Proceed immediately to make the necessary inspection and repairs to the involved vehicles in unsold dealer inventory. **All inventory vehicles (new or used) subject to this recall must be corrected prior to sale, transfer or delivery.** Each dealer will receive a computer listing of all involved vehicle identification numbers in unsold (new) inventory or that have been retail delivered. With this computer listing, the dealer will also receive an "Authorization for Recall Notification Service" card for all unsold or undelivered (new) inventory vehicles. This postage pre-paid card must be filled out correctly and returned to the address on the card indicating whether the vehicle was repaired, transferred, sold, etc. (refer to the UD Warranty Policies & Procedures Manual, Part III, Section 1). For vehicles that are received without an "Authorization for Recall Service" card, check the Vehicle Service Notification screen of the NDANET2 Warranty Claim System menu to verify if this safety recall is required.

## PARTS INFORMATION

Qty.	Description	Application
1	KSC05V341B	UD1800, UD2000, UD2300
1	KSC05V341C	UD2600, UD3300

## **PARTS INFORMATION (continued)**

Each kit KSC05V341B includes the following items:

Qty.	Part Number	Description
1	20010-30Z2B	Exhaust Pipe
2	20691-36D00	Gasket
8	MM6923M10125	Nut

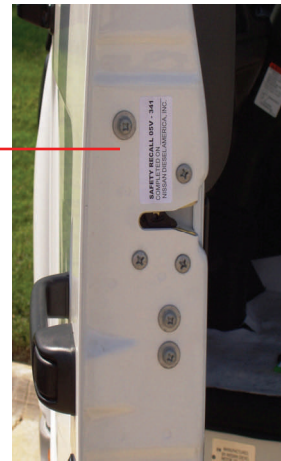
Each kit KSC05V341C includes the following items:

Qty.	Part Number	Description
1	20010-30Z2C	Exhaust Pipe
2	20691-36D00	Gasket
8	MM6923M10125	Nut

## **SERVICE INFORMATION**

***Before servicing the vehicle, read the entire set of instructions first. Observe the following safety precautions to prevent personal injury, damage to property, or both:***

- If the involved vehicle has a label on the inside of the driver's door as shown in Figure A, the recall has already been performed and no further action is required.
- If the involved vehicle does not have the label on the inside of the driver's door, verify through the Vehicle Service Notification screen of the NDANET2 system that the recall is required. Complete the safety recall according to the following instructions.



**Figure A**

- Park the vehicle on a flat surface, place the manual transmission in NEUTRAL (PARK for automatic transmission), set the parking brake and chock the rear wheels.
- Turn the engine off and allow the vehicle to cool before servicing.
- Isolate the batteries by disconnecting both negative and positive battery cables.

## SERVICE PROCEDURE

### Section A - REMOVAL

**⚠ WARNING** Do not touch the exhaust manifold when it is hot. You can be severely burned.

#### STEP 1

Remove the four mounting nuts securing the exhaust pipe to the turbocharger as shown in Figure B.

Discard the exhaust gasket and the 4 mounting nuts in a method approved by local and state regulations.

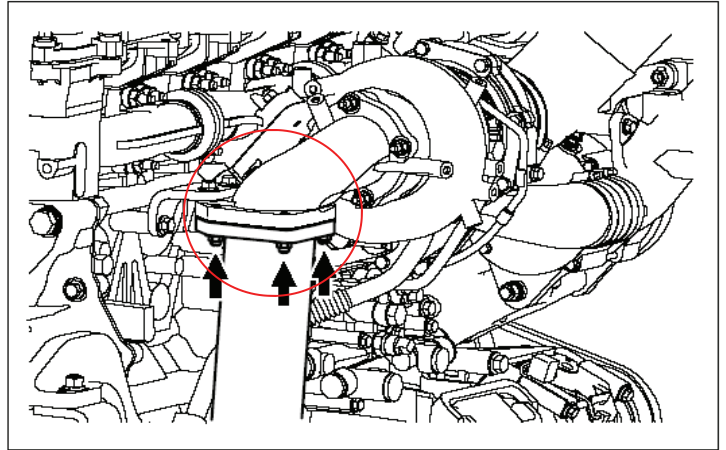


Figure B

#### STEP 2

Place a jack stand under the muffler to support the muffler and prevent damage to the exhaust brake. Remove the four mounting nuts securing the exhaust pipe to the exhaust brake as shown in Figure C. Discard the removed mounting nuts and exhaust gasket in a method approved by local and state regulations.

#### STEP 3

Loosen the exhaust clamp nut then remove the upper bolt and nut from the hanger as shown below in Figure C. Do not discard the hanger bracket, nut, bolt, rubber bushings and exhaust clamp nut as they will be reused.

Dispose of the exhaust pipe in a method approved by local and state laws.

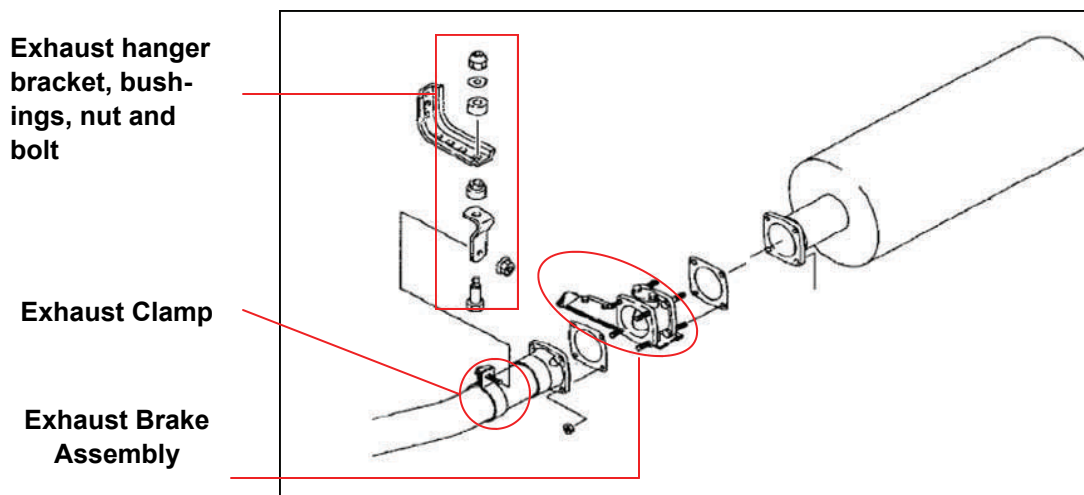


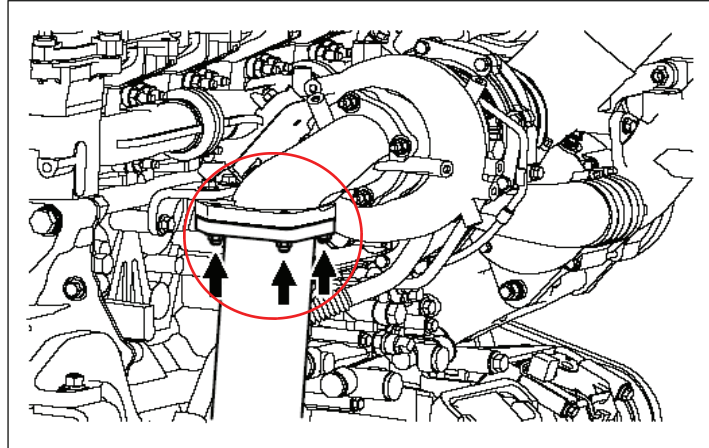
Figure C

## **SERVICE PROCEDURE (continued)**

### **Section B - INSTALLATION**

#### **STEP 1**

Install a new exhaust gasket with 4 new nuts and connect the new exhaust pipe to the turbocharger as shown below in Figure D. Do not tighten at this time.



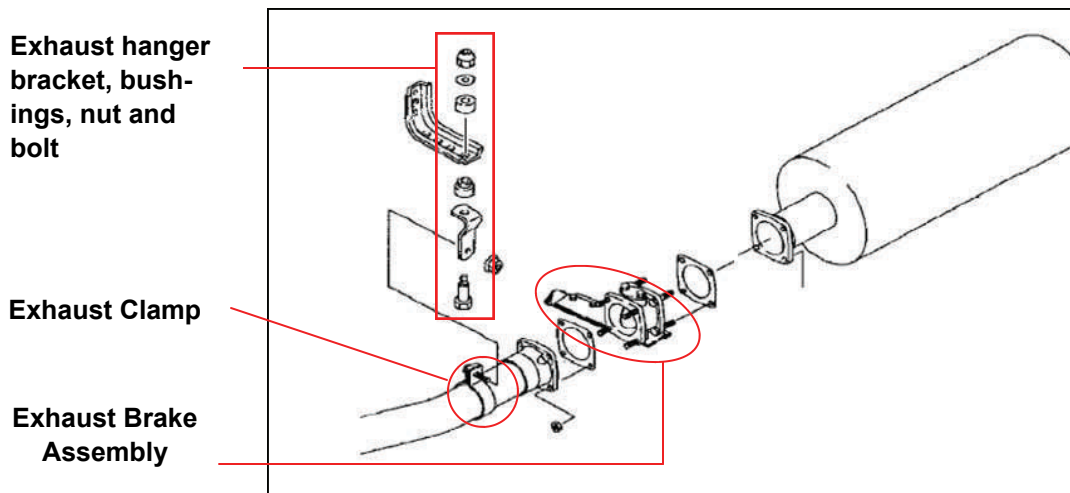
**Figure D**

#### **STEP 2**

Attach the exhaust pipe using a new exhaust gasket and 4 new nuts to the exhaust brake assembly as shown in Figure E. Do not tighten at this time.

#### **STEP 3**

Install the exhaust hanger bracket, bolt, bushings and nut to the exhaust hanger. Insert the exhaust clamp bolt through the exhaust hanger bracket and install nut as shown in Figure E. Torque clamp nut and hanger nut and bolt to: 26.5-32.5 N·m {270-330 kgf·cm, 20-24 lb·ft}.



**Figure E**

#### **STEP 4**

Tighten the 4 nuts at the exhaust pipe to the turbocharger and then the 4 nuts at the exhaust pipe to the exhaust brake assembly to: 65-75 N·m {664-765 kgf·cm, 48-55 lbf·ft}

## **SERVICE POCEDURE (continued)**

### **STEP 5**

Remove the jack stand support from under the muffler and reconnect the battery cables and start the vehicle to check exhaust system for leaks or noises.

### **STEP 6**

Record the completion date on the Safety Recall 05V-341 sticker as shown in Figure F and apply it to the driver's side door as shown in Figure A on page 3.

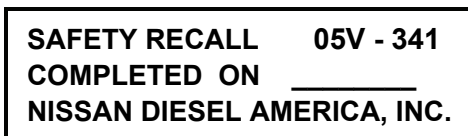


Figure F

## **WARRANTY INFORMATION**

Expenses for replacing the exhaust pipe as described in this Safety Recall are to be recovered through the standard UD Warranty Claim procedures listed in the UD Warranty Policies & Procedures Manual, Part V. Use the following information to prepare your claims:

---

### **For UD1800, UD2000 and UD2300**

<b>WARRANTY CODE</b>	K629
<b>TROUBLE CODE</b>	45100306
<b>FAILED PART NUMBER/NAME</b>	20010-43Z08 Exhaust Tube
<b>REPAIR DESCRIPTION</b>	PERFORM SAFETY RECALL SC-341
<b>LABOR OPERATION</b>	451A
<b>LABOR TIME ALLOWED</b>	1.0 HRS/UNIT (REPLACE EXHAUST PIPE)

---

### **For UD2600 and UD3300**

<b>WARRANTY CODE</b>	K633
<b>TROUBLE CODE</b>	45100306
<b>FAILED PART NUMBER/NAME</b>	20010-43Z09 Exhaust Tube
<b>REPAIR DESCRIPTION</b>	PERFORM SAFETY RECALL SC-341
<b>LABOR OPERATION</b>	451A
<b>LABOR TIME ALLOWED</b>	1.0 HRS/UNIT (REPLACE EXHAUST PIPE)

---