



**TRUCKS**

# TECHNICAL BULLETIN # EN - 22

**DATE:** OCTOBER 12, 1999  
**MODEL YEAR:** 2000 AND AFTER  
**ENGINE MODEL:** FE6TA  
**BULLETIN #:** EN - 22  
**FILE IN THE ENGINE SECTION OF THE TECHNICAL BULLETIN BINDER**

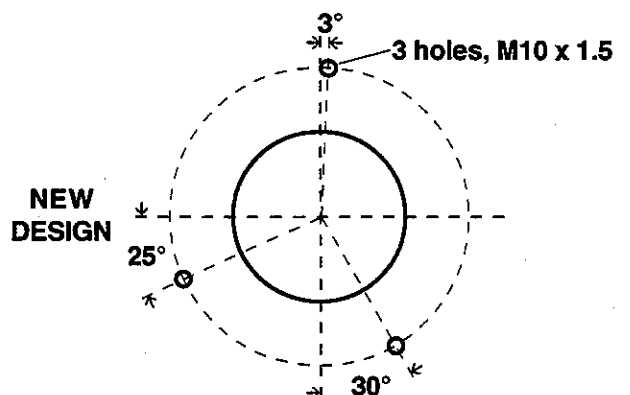
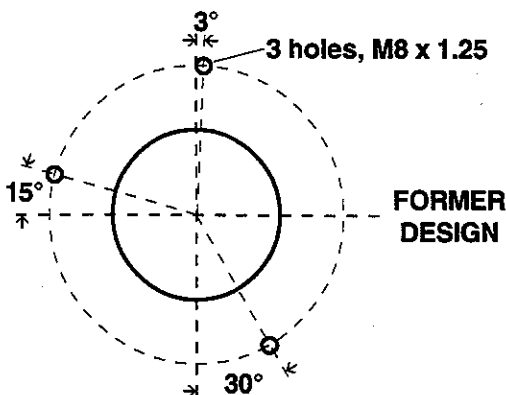
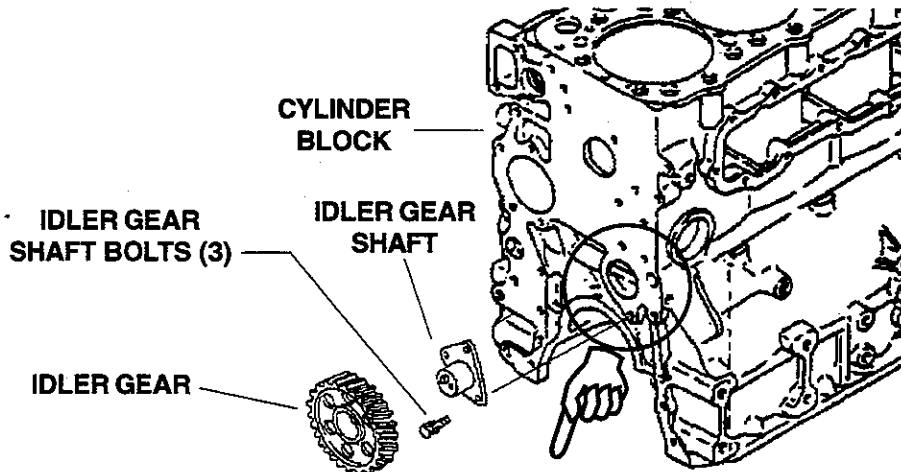
## FE6TA IDLER GEAR SHAFT CHANGE

### CHANGE NOTICE

The idler gear shaft in FE6TA engines for medium duty vehicles produced in or after March, 1999 has been changed to further enhance its durability. The bolt diameter and bolthole pattern for mounting the idler gear shaft to the cylinder block have been changed as shown below.

### PARTS NOTICE

When ordering replacement parts, contact the NDA Parts Operations Department for the conditional interchangeability of other affected parts.



THE INFORMATION CONTAINED IN THIS BULLETIN SHOULD NOT BE INTERPRETED AS THE BASIS FOR CLAIMS UNLESS SO DESIGNATED